



DATE	10/26/2015
PAGES	2
REVISION	0

# SAFETY ALERT

## Product Safety Bulletin No. 2

### **Subject:**

It has been reported that the bolts that retain the Grabber Cylinder Retaining Plate have fallen out and allowed the plate to fall.

### **Products:**

GDM Top Drive 500/650 Ton and GDM Top Drive 750/850 Ton

### **Assemblies Affected:**

Grabber Cylinder Plate, Strap, Retainer (Reference drawings A500175, A500345, A800029, A800345)

### **Issue:**

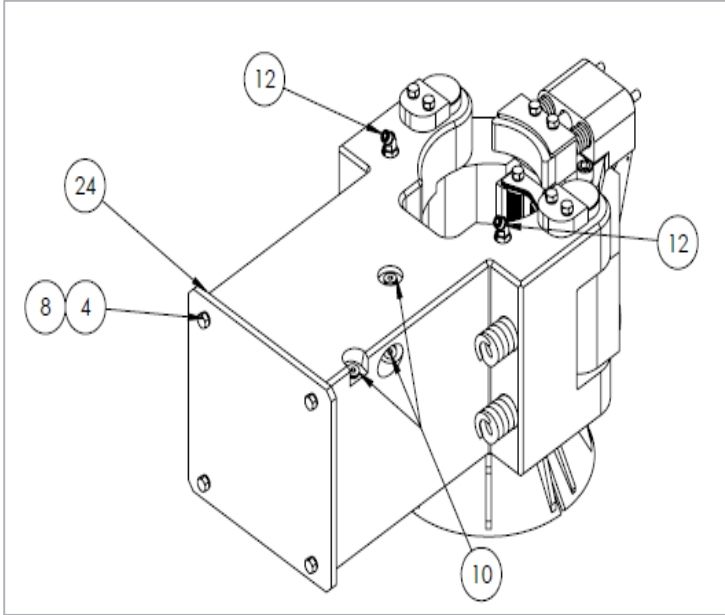
GDS received a report of an incident involving the bolts (P/N 008121.0824DH2), washers (P/N 220102.0800), and Plate, Strap, Retainer (P/N M500481) coming loose. No injuries occurred as a result of the incident.

### **Recommendation:**

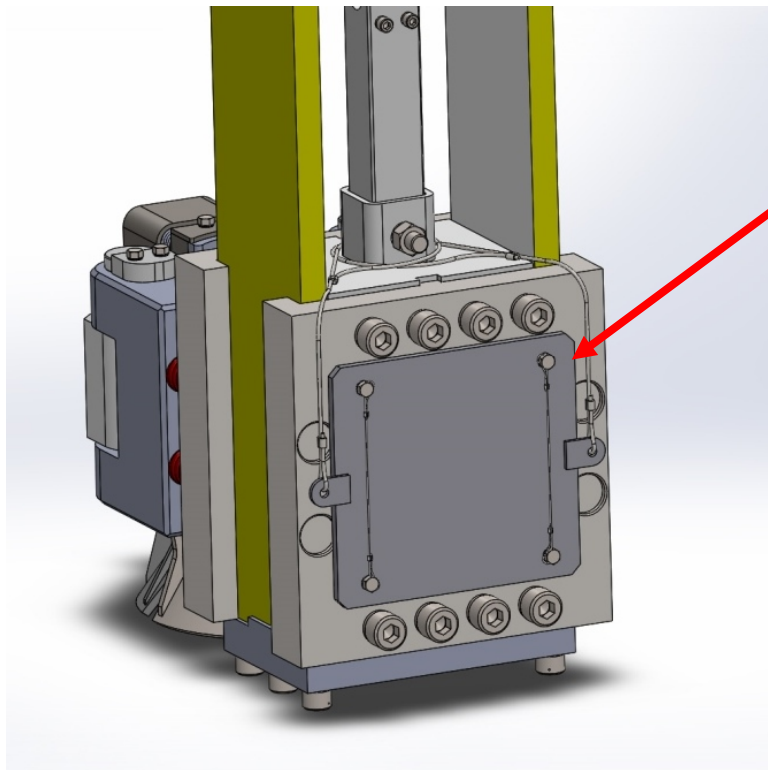
GDS recommends inspecting the Plate, Strap, and Retainer for damage, looseness or missing hardware on all units. If anything is found missing, it is important to replace and resecure. If broken wires are found, check the affected bolt for tightness and rewire. If it is determined that more immediate repairs are required, please contact the GDS Service Department.

### **Solution:**

A secondary restraint kit (P/N A100807) has been developed and is available from GDS. Customers should order this kit to ensure the correct secondary retention parts are used.



In this rendering of the original configuration, **Item 24** does not come with any means of secondary retention.



A100807 Secondary Restraint Kit installed on GDM Grabber Assembly

Note:

Safety wires for the eight bolts retaining the Side, Grabber Body Torque Box have been omitted for clarity.

**Caution:**

This Safety Alert is issued for all GDM Top Drives. Not following the recommendations and / or guidance in GDS Product Safety Bulletins may result in death, bodily injury or property damage.