



<b>DATE</b>	<b>June 22, 2016</b>
<b>PAGES</b>	<b>2</b>
<b>REVISION</b>	<b>0</b>

# SAFETY ALERT

Product Safety Bulletin No. 5

**Subject:**

**Loosening or breaking of fasteners on brake cover.**

**Product:**

All GDM 500, 650, and 850 Ton Top Drives.

**Assemblies Affected:**

Part numbers M500275 (disc brake cover), 026211.12124DH2 (cap screw, socket head) and 210202.1200 (washer, lock, split) used in assemblies A500231, A500231-A, A500279, A500334, A500340, A500369, A500432, A800019, and A800357.

**Issue:**

GDS received a recent report of incidents involving the 026211.12124DH2 (cap screw, socket head) coming loose or breaking.

**Recommendation:**

GDS recommends inspecting the disc brake cover, cap screws, and lock washers on all units regularly under normal drilling and more frequently under rough drilling or jarring. If anything is found missing, it is important to replace and re-secure. If broken wires are found, check the affected bolt for tightness and rewire. If it is determined that more immediate repairs are required, please contact the GDS Service Department.

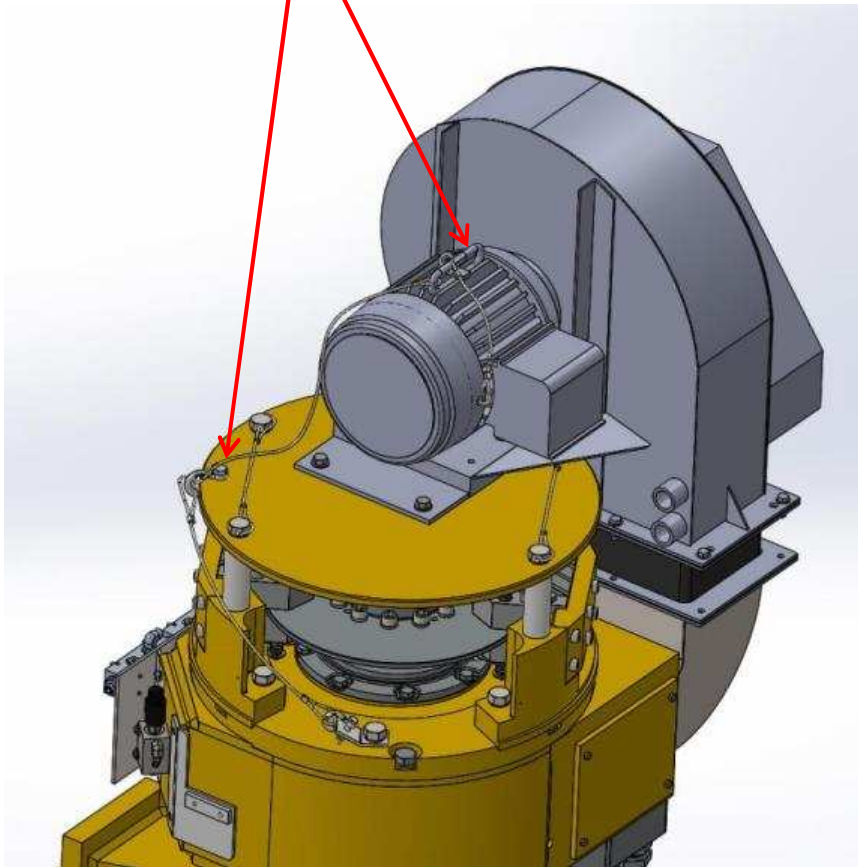
**Solution:**

**Product Safety Bulletin 5 – Revision 0**

Contact: Service Manager | Website: [www.globaldrillingsupport.com](http://www.globaldrillingsupport.com) |  
GDS International LLC | 9841 Windmill Park Lane | Houston, Texas 77064 | Telephone: 713-623-1449

A secondary restraint kit A100813 has been developed and is available through GDS. Customers should order this kit to ensure the correct secondary retention parts are used. To facilitate the kit, a 3/4" hole will need to be drilled in the brake cover. The hole will be such that the majority of the slack is removed from the secondary restraint cable.

Pictured below is the blower assembly and brake cover with secondary restraint from the A100813 kit.



**Caution:**

This Safety Alert is issued for all GDM 500, 650 and 850 Ton Top Drives. Not following the recommendations and / or guidance in GDS Product Safety Bulletins may result in death, bodily injury or property damage.

**Product Safety Bulletin 5 – Revision 0**

Contact: Service Manager | Website: [www.globaldrillingsupport.com](http://www.globaldrillingsupport.com) |

GDS International LLC | 9841 Windmill Park Lane | Houston, Texas 77064 | Telephone: 713-623-1449