



| | |
|-----------------|----------------------|
| DATE | June 22, 2016 |
| PAGES | 3 |
| REVISION | 0 |

SAFETY ALERT

Product Safety Bulletin No. 8

Subject:

It has been observed that the bolts that position the anti-rotation brackets on the GDM 650 Ton Top Drive could come loose and allow the bracket to become out of adjustment.

It has also been observed that the hydraulic manifold mounted on the lower well control valve actuator could come into contact with the torque arrestor.

Product:

650 Ton Top Drive

Assemblies Affected:

The hydraulic manifold assembly (A100181) mounted on the GDS actuator assembly (A100034) or (A100100), the BUW weldment assembly (M500052), and the anti-rotation device (A600012 rev 01).

Issues:

During periods of rough drilling, it has been observed that the anti-rotation device could slide together and allow the valve mounted on the actuator to contact with the BUW wrench weldment and cause wear to the valve body.

Recommendations:

GDS recommends inspecting the hydraulic manifold assembly for possible damage and relocating it to the BUW weldment assembly.

GDS further recommends replacing the current anti-rotation assembly with A600012 rev. 02, which will better allow for movement during any rough drilling period.

If assistance is required, please contact the GDS Service Department.

Product Safety Bulletin 8 – Revision 0

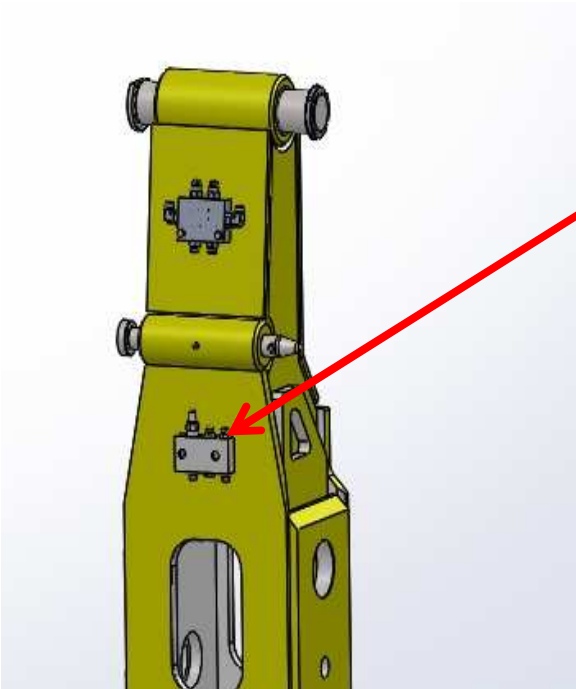
Contact: Service Manager | Website: www.globaldrillingsupport.com |
GDS International LLC | 9841 Windmill Park Lane | Houston, Texas 77064 | Telephone: 713-623-1449



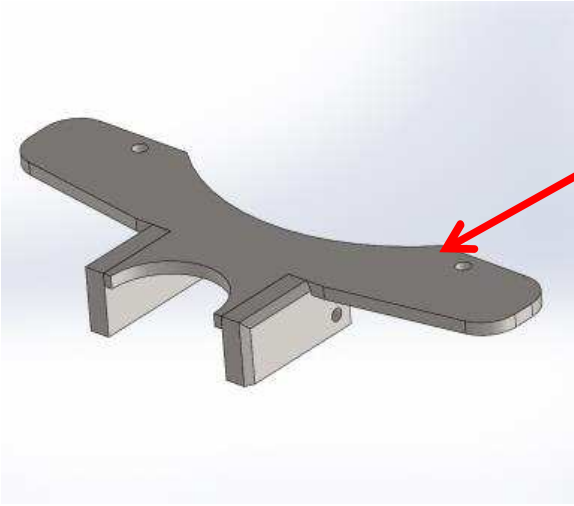
The current configuration showing the location of hydraulic manifold assembly (A100181) on lower well control valve actuator.



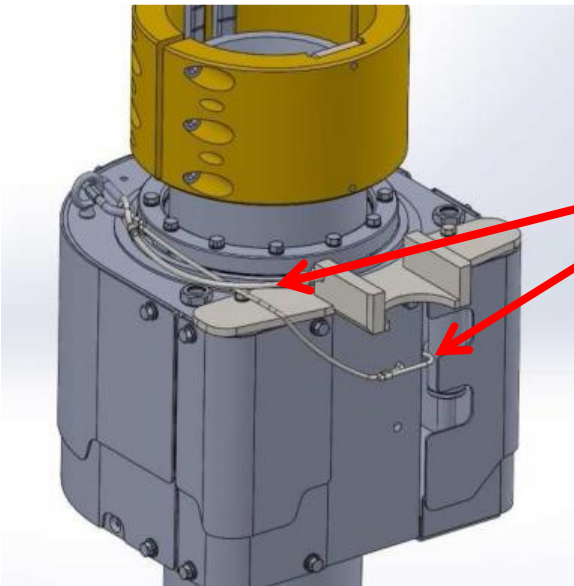
Actuator anti-rotation plate safety wiring.
Safety wire applied to fasteners



The new configuration showing the valve relocated to the BUW weldment using relocation kit (GDS P/N A600019).



Part M500748, anti-rotation weldment, is available as a part of A600012 rev 02 kits.



Safety cable to anti-rotation weldment.

Safety cable added to actuator slide

Caution:

This Safety Alert is issued for all GDM 650 Ton Top Drives. Not following the recommendations and / or guidance in GDS Product Safety Bulletins may result in death, bodily injury or property damage.

Product Safety Bulletin 8 – Revision 0

Contact: Service Manager | Website: www.globaldrillingsupport.com |
GDS International LLC | 9841 Windmill Park Lane | Houston, Texas 77064 | Telephone: 713-623-1449